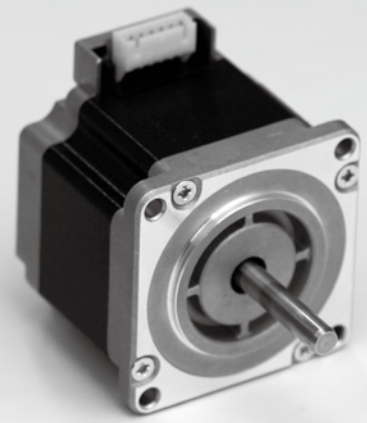


2 Phase Hybrid Stepping Motor

56D SERIES (For large quantity orders)



□ 56mm



1.8°

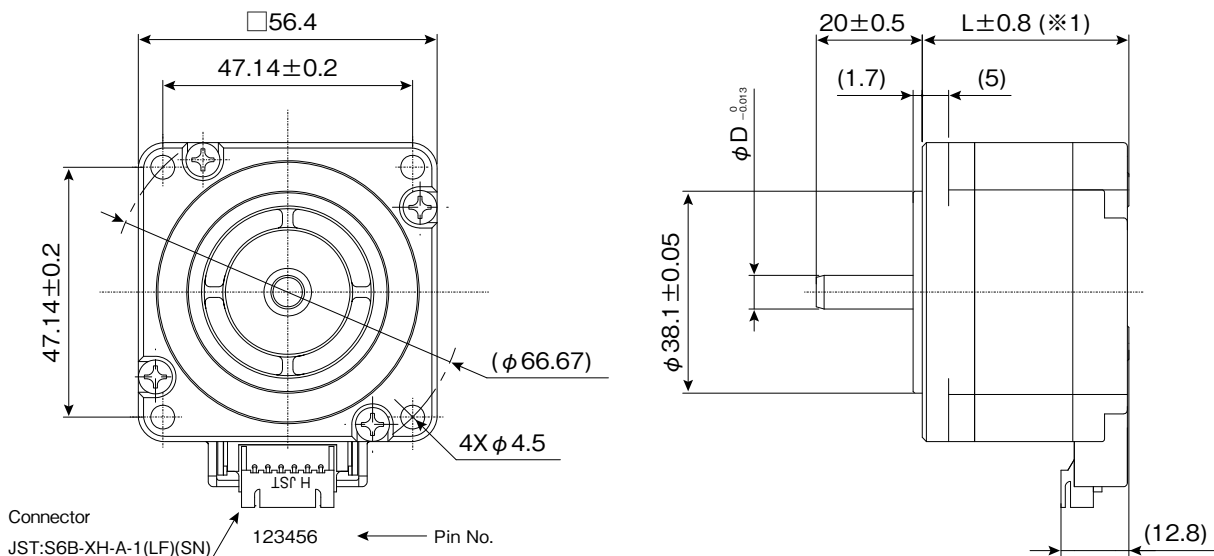
Bipolar

SPECIFICATIONS

MODEL	STEP ANGLE	VOLTAGE	CURRENT	RESISTANCE	HOLDING TORQUE	ROTOR INERTIA	NUMBER OF PINS	MASS	LENGTH
	Deg.	V	A/φ	Ω/φ	mN·m	g·cm ²	Pin	kg	mm
STA-56D1006	1.8	1.2	3.0	0.40	560	125	6	0.42	38.5
STA-56D1008	1.8	2.0	2.0	0.98	570	125	6	0.42	38.5
STA-56D1010	1.8	4.0	1.0	4.00	560	125	6	0.42	38.5
STA-56D3006	1.8	1.6	3.0	0.53	1010	225	6	0.57	48.0
STA-56D3008	1.8	2.4	2.0	1.20	1030	225	6	0.57	48.0
STA-56D3010	1.8	5.4	1.0	5.35	1010	225	6	0.57	48.0
STA-56D5006	1.8	2.6	3.0	0.86	1910	460	6	0.99	73.5
STA-56D5008	1.8	3.9	2.0	1.95	1940	460	6	0.99	73.5
STA-56D5010	1.8	8.6	1.0	8.60	1910	460	6	0.99	73.5

↑ Last Digit 6-10 : for Bipolar

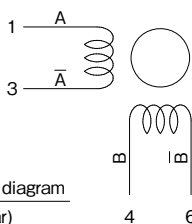
DIMENSIONS [EXAMPLE]



Connector
JST:S6B-XH-A-1(LF)(SN) 123456 ← Pin No.

Mating connector

Housing	JST:XHP-6
Contact	JST: SXH-001T-P0.6



Wiring diagram
(Bipolar)

※1 Available motor length 38.5~73.5 mm.

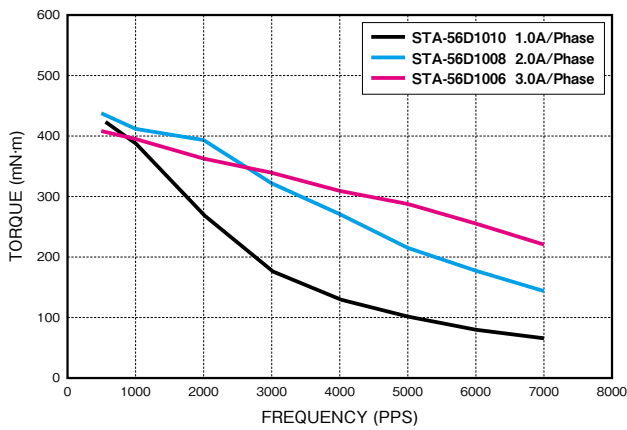
SHAFT Dia. (φ D)	
MODEL	φ D (mm)
STA-56D1XXX	φ 6.35
STA-56D3XXX	φ 6.35
STA-56D5XXX	φ 8

TORQUE RANGE

STEP ANGLE	SIZE		WINDINGS	MODEL	TORQUE (mN·m) *FREQUENCY at 1,000pps															
					0	50	100	200	300	400	600	800	1000	1500	2000					
1.8°	56mm	NEMA23	Bipolar	56D1	[Torque range bar from 300 to 400 mN·m]															
				56D3	[Torque range bar from 400 to 600 mN·m]															
				56D5	[Torque range bar from 600 to 1000 mN·m]															

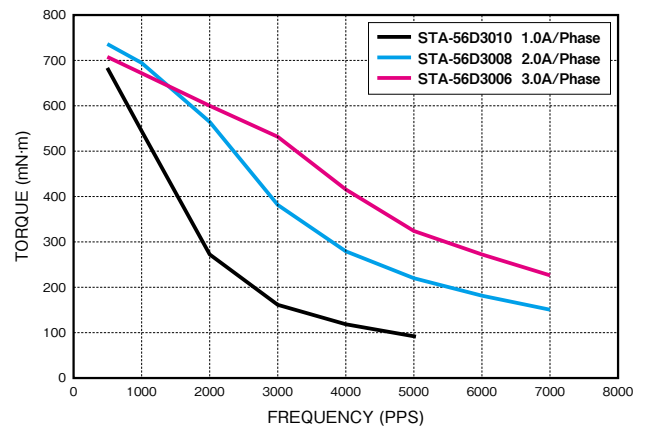
PULL OUT TORQUE CURVE

STA-56D1XXX



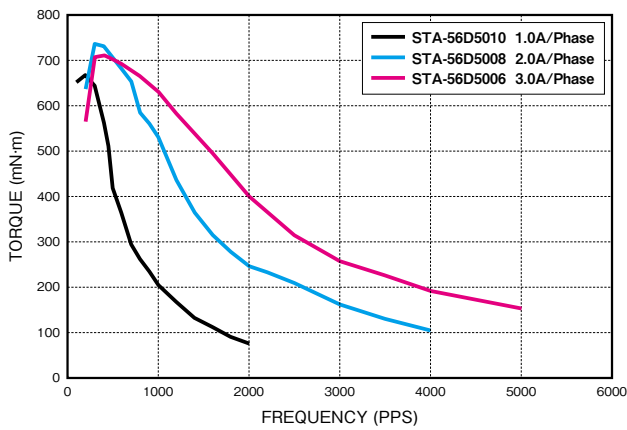
DRIVER : Chopper
 SUPPLY VOLTAGE : DC24V
 EXCITING MODE = 2 Phase
 MOUNTING : With rubber damper

STA-56D3XXX



DRIVER : Chopper
 SUPPLY VOLTAGE : DC24V
 EXCITING MODE = 2 Phase
 MOUNTING : With rubber damper

STA-56D5XXX



DRIVER : Chopper
 SUPPLY VOLTAGE : DC24V
 EXCITING MODE = 2 Phase
 MOUNTING : With rubber damper

i Available shaft, lead wires, winding, encoder and other customization. Feel free to contact sales office or sales agent. This motor series can not be sold in small lot size. Product specifications are subject to change without notice.

! Operate the motor keeping the motor surface temperature at 100 deg. C or lower.